

Grooved Butterfly Valve | PN16/Class150

Fig. 2952

- **Valve Standard:** Comply with EN593/BS5155/MSS SP-67.

- **Working Pressure and Temperature**

Working pressure PN16/Class150.
 Temperature from -10°C to 120°C for EPDM seat.
 Temperature from -10°C to 82°C for NBR seat.



- **Groove Type**

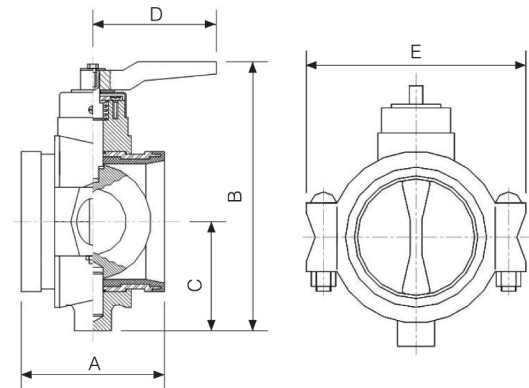
Groove dimensions comply with Metric or AWWA C606 standard.

- **Operator**

Handle operated.

- **Materials Specification**

Part Name	Material	EN Spec.	ASTM Spec.
Body	Steel, EPDM Coated	BS970 050A20	AISI 1020
	Steel, NBR Coated	BS970 050A20	AISI 1020
Shaft	Stainless Steel	BS970 420S37	AISI 420
Disc	Stainless Steel	BS970 304S15	A351 CF8
Coupling	Ductile Iron	EN-JS1050	A536 65-45-12
O-Ring	EPDM/NBR	Commercial	Commercial
Spring	Stainless Steel	BS970 304S15	AISI 304
Gasket	PTFE	Commercial	Commercial
Dust Cover	Stainlee Steel	BS970 304S15	AISI 304
Handle	Ductile Iron	EN-JS1050	A536 65-45-12



- **Dimensions (mm)**

Size	50	65	80	100	125	150	200
Pipe OD	60.3	73.0/76.1	88.9	114.3	139.7/141.3	165.1/168.3	219.1
A	81	97	97	116	148	148	135
B	151	210	210	245	292	335	398
C	46	70	70	89	102	113	140
D	155	155	205	245	245	310	310
E	103	124	145	178	216	240	343