

Grooved End Swing Check Valve | PN25/Class250

Fig. 5904

● Working Pressure and Temperature

Working pressure PN25/Class250

Temperature from -10°C to 120°C for EPDM.

Temperature from -10°C to 82°C for NBR.

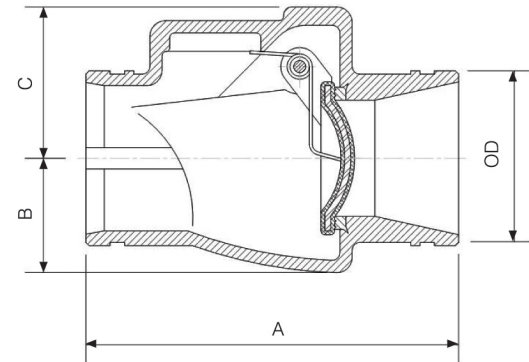


● Groove Type

Groove dimensions comply with Metric or AWWA C606 standard.

● Materials Specification

Part Name	Material	EN Spec.	ASTM Spec.
Body	Ductile Iron	EN-JS1050	A536 65-45-12
Disc	DI EPDM/NBR Coated	EN-JS1050	A536 65-45-12
Seat	Stainless Steel	BS970 316S16	AISI 316
	DI Integral	EN-JS1050	A536 65-45-12
Spring	Stainless Steel	BS970 304S15	AISI 304
Shaft	Stainless Steel	BS970 420S37	AISI 420
Gasket	EPDM/NBR	Commercial	Commercial
Shaft Plug	Brass	CuZn39Pb3	B16 C36000



● Dimensions(mm)

Size	50	65	80	100	125	150	200	250	300
OD	60.3	73.0/76.1	88.9	114.3	139.7/141.3	165.1/168.3	219.1	273.0	323.9
A	99	99	108	254	267	292	356	432	495
B	36	53	54	76	111	105	130	163	188
C	47	57	68	99	114	127	154	188	205