

Wafer Swing Check Valve PN16/Class125

Fig. 5301

- Working Pressure and Temperature**

Working pressure PN16/Class125.
 Temperature from -10°C to 120°C for EPDM seat.
 Temperature from -10°C to 82°C for NBR seat.
 Temperature from -10°C to 150°C for Viton seat.

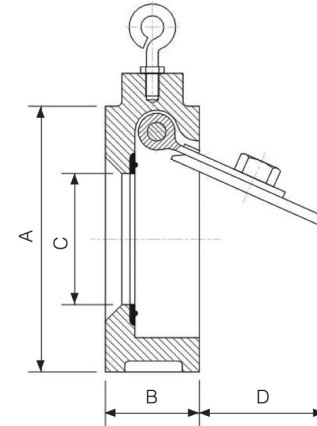


- Flange Type**

EN1092-2 PN10/PN16, ANSI B16.1 Class125, BS10 Table D/E.

- Materials Specification**

Part Name	Material	EN Spec.	ASTM Spec.
Body	Cast Iron	EN-JL1040	A126 Class B
Clapper	Stainless Steel	BS970 304S15	A351 CF8
Hinge Arm	Stainless Steel	BS970 304S15	A351 CF8
Seat	EPDM/NBR/Viton	Commercial	Commercial
Hinge-Pin	Stainless Steel	BS970 420S37	AISI 420
Spacer	PTFE	Commercial	Commercial
Spring	Stainless Steel	BS970 304S15	AISI 304



- Dimensions(mm)**

Size	A			B	C	D
	Table D/E Flange	ANSI 125# Flange	EN1092-2 PN16 Flange			
50	98	102	106	44.5	33	29
65	111	121	126	48	47	30
80	130	134	141	51	52	56
100	162	172	161	57	76	75
125	194	194	191	63.5	95	95
150	216	220	217	70	121	114
200	273	277	272	73	168	156
250	337	337	337	79	194	187
300	384	407	382	86	241	222
350	444	447	446	108	267	229
400	495	511	515	108	317.5	248
450	558	546	550	108	355.6	298.5
500	615	602	610	140	387.4	324
600	723	715	733	152	482.6	387